



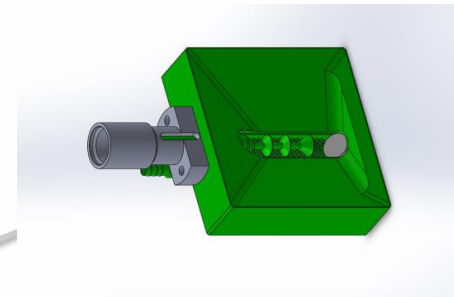
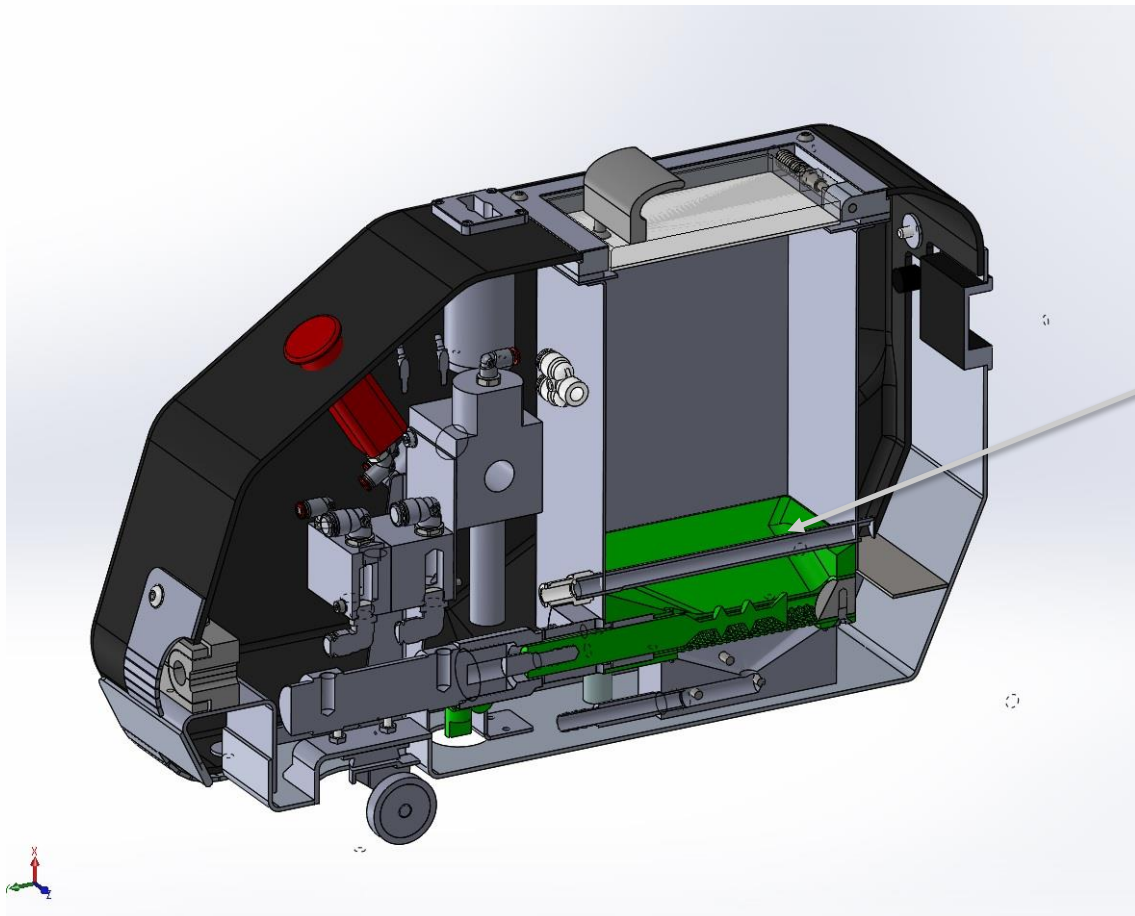


IC 022 EVO, IC 022 EVO PLUS

STEP AHEAD thanks to INNOVATION



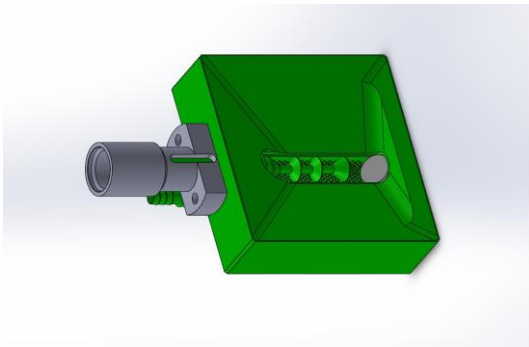
IC 022 EVO, IC 022 EVO PLUS



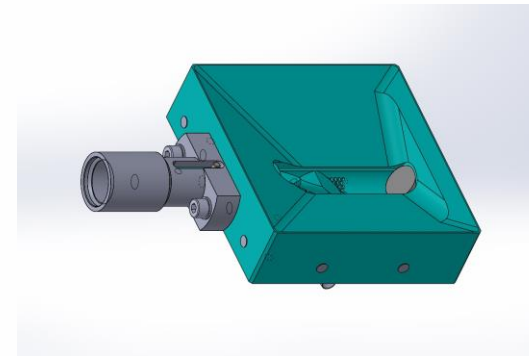
Re- design of feeding systems
With new piston



IC 022 EVO, IC 022 EVO PLUS

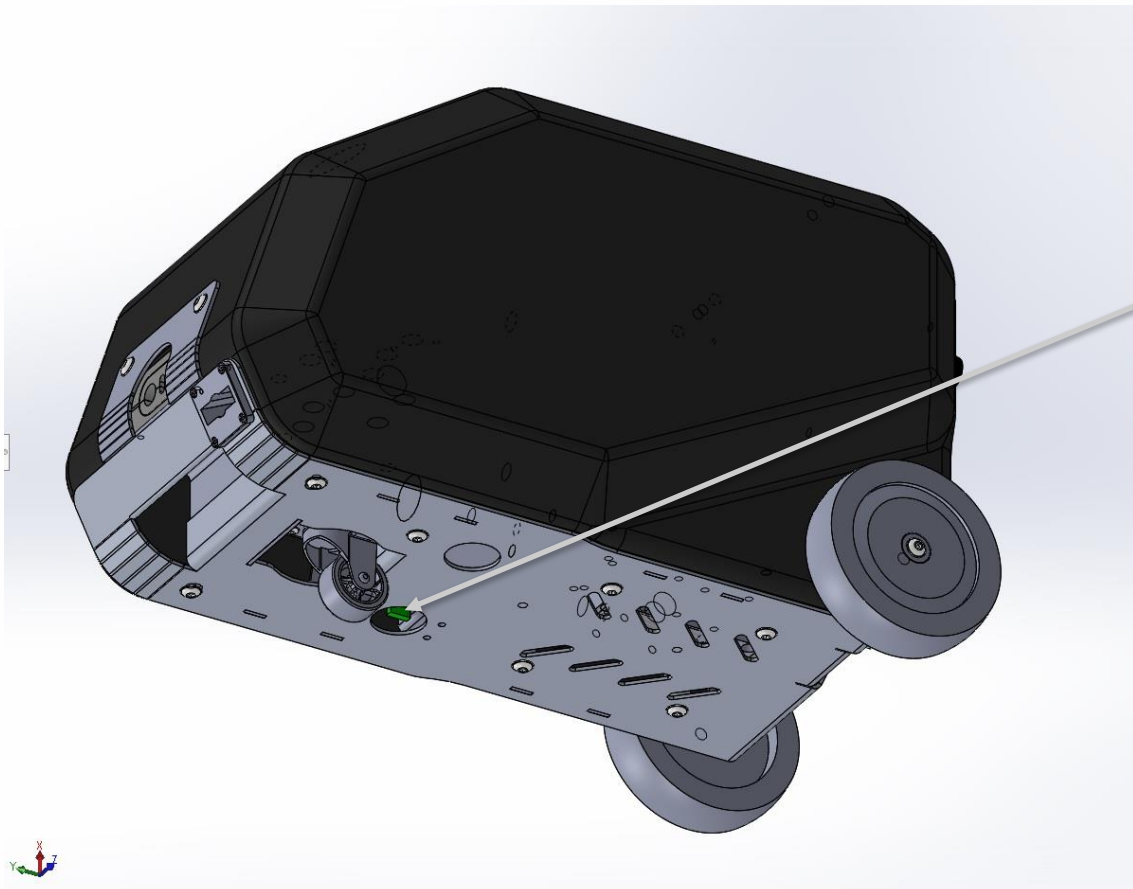


New vs old



- Piston extension
- Changes geometry of hopper
- Extended scrabbling plate

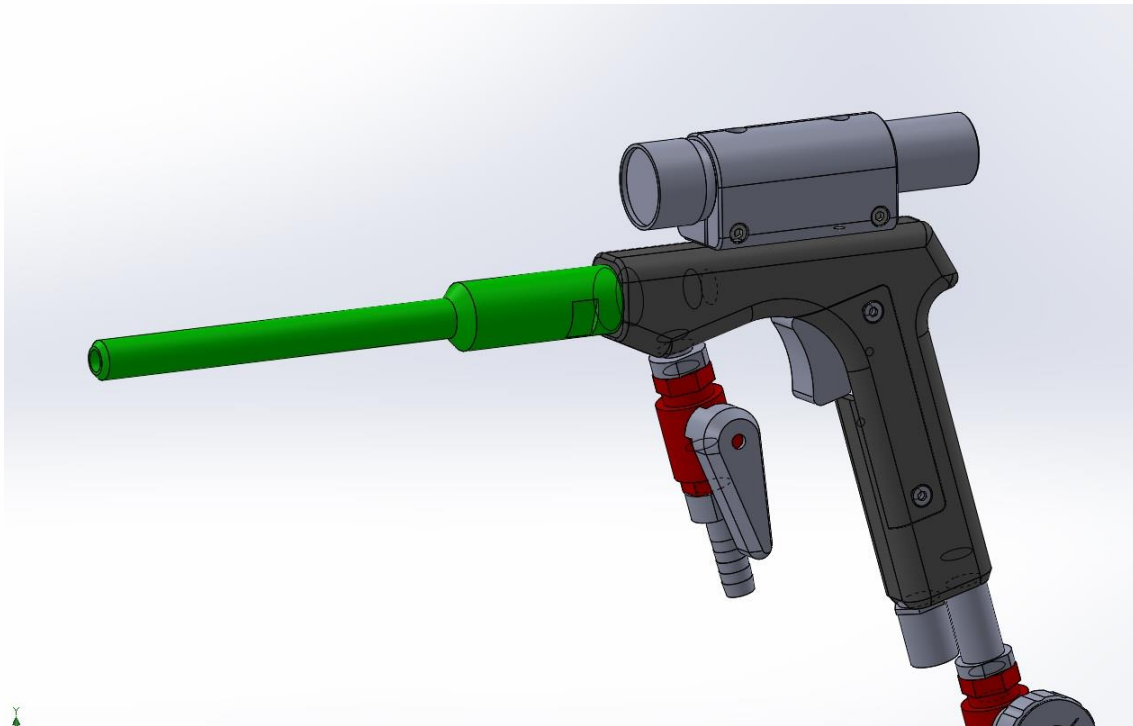
IC 022 EVO, IC 022 EVO PLUS



New releasing valve



IC 022 EVO, IC 022 EVO PLUS



NEW NOZZLE WITH 8mm inner hole



STEP AHEAD thanks to INNOVATION

20% extra power
high efficiency of cleaning
same consumption of compressed air
new accessories
same price





ICS Ice Cleaning Systems s.r.o

Robotnícka 2192
017 01 Považská Bystrica / Slovakia

Martin LIPTÁK

Mob.: +421 918 865 636

E-Mail: sales@ics-dryice.sk

www.ics-dryice.com